

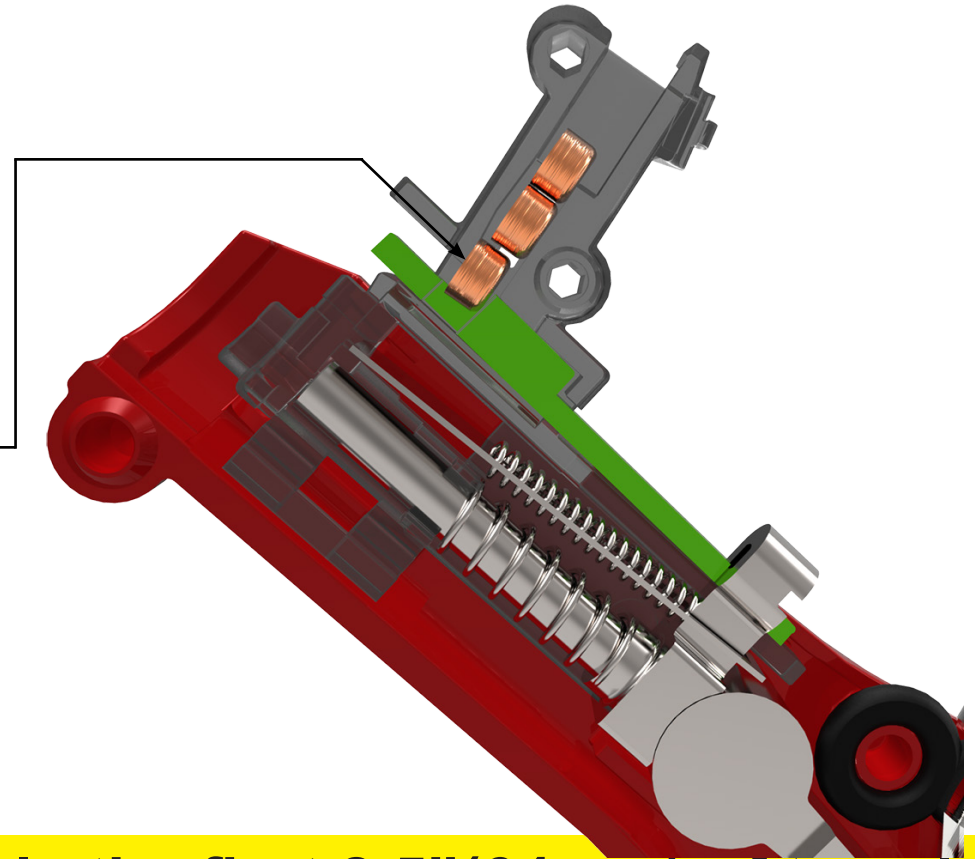
# STOP

Before you depress the lever of your Bench Prime look at the pictures below.

The Lever must depress effortlessly the first 2.5" (64mm) of travel. If you meet any resistance a primer is pinched because it hasn't completely entered the elevator.

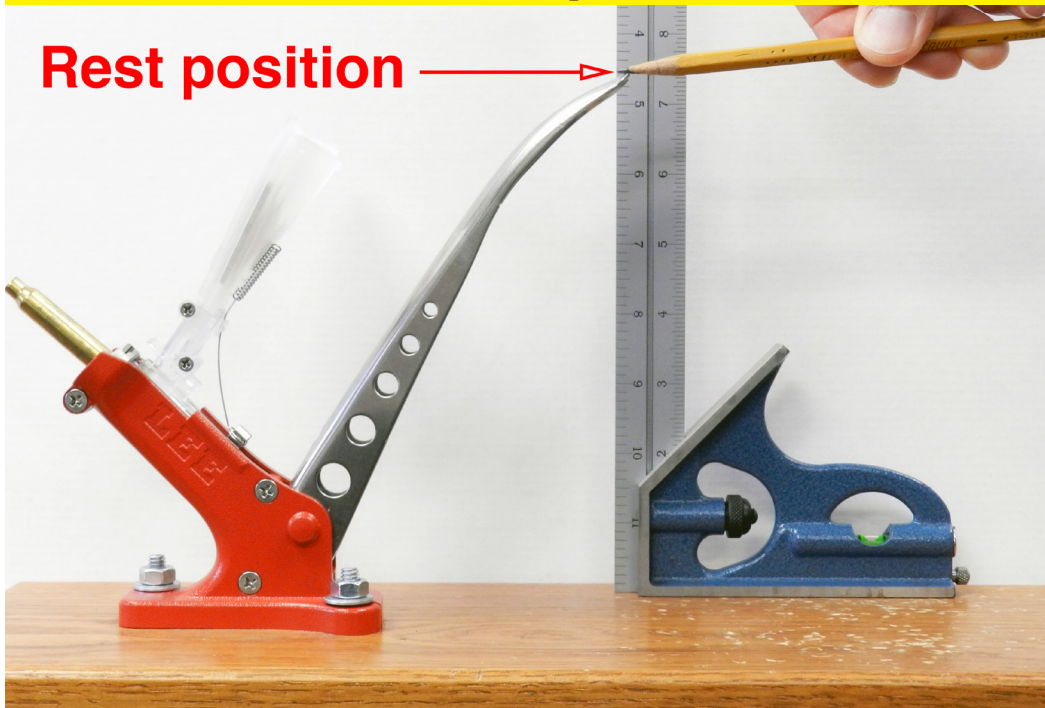
**STOP DO NOT APPLY ANY MORE PRESSURE!**  
Continued pressure will damage the tool.

Lift the lever upward firmly to the rest position allowing the next primer to completely feed into the elevator slide. Depress lever, if you meet no resistance, you may continue priming.



**Lever must depress effortlessly the first 2.5" (64mm) of travel**

**Rest position**



**End of effortless travel**

